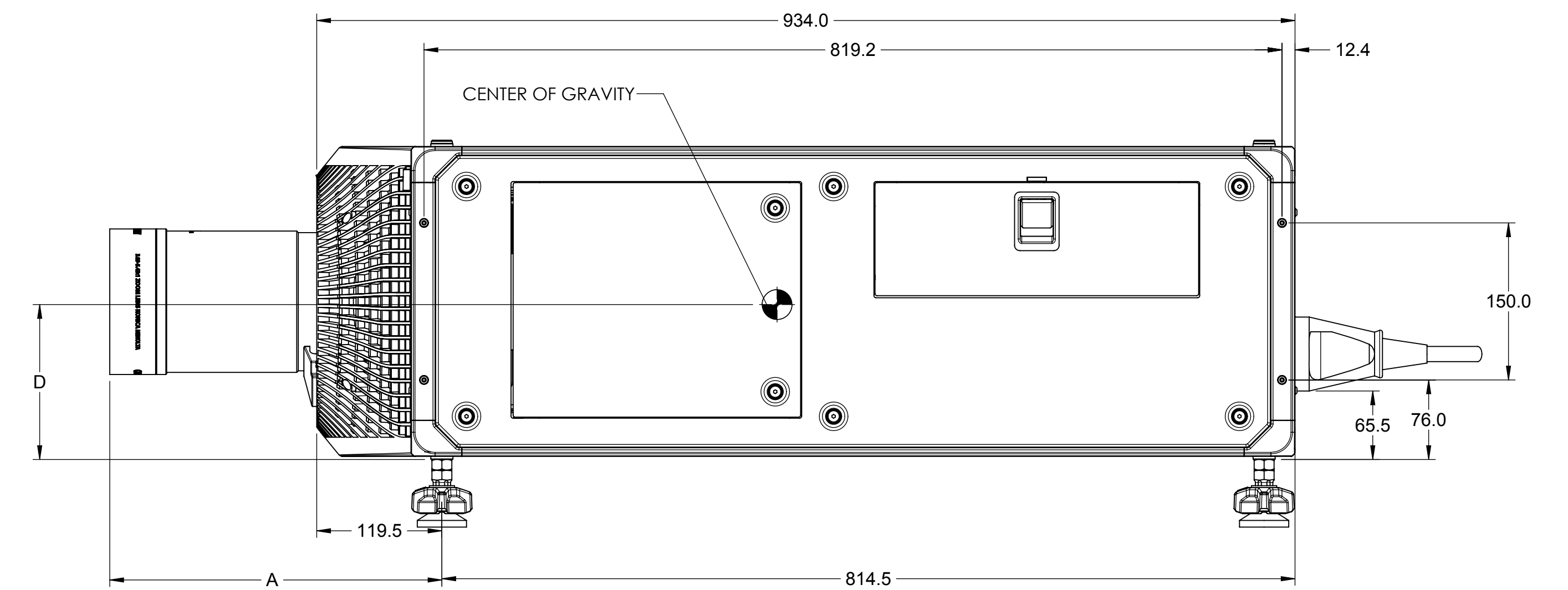
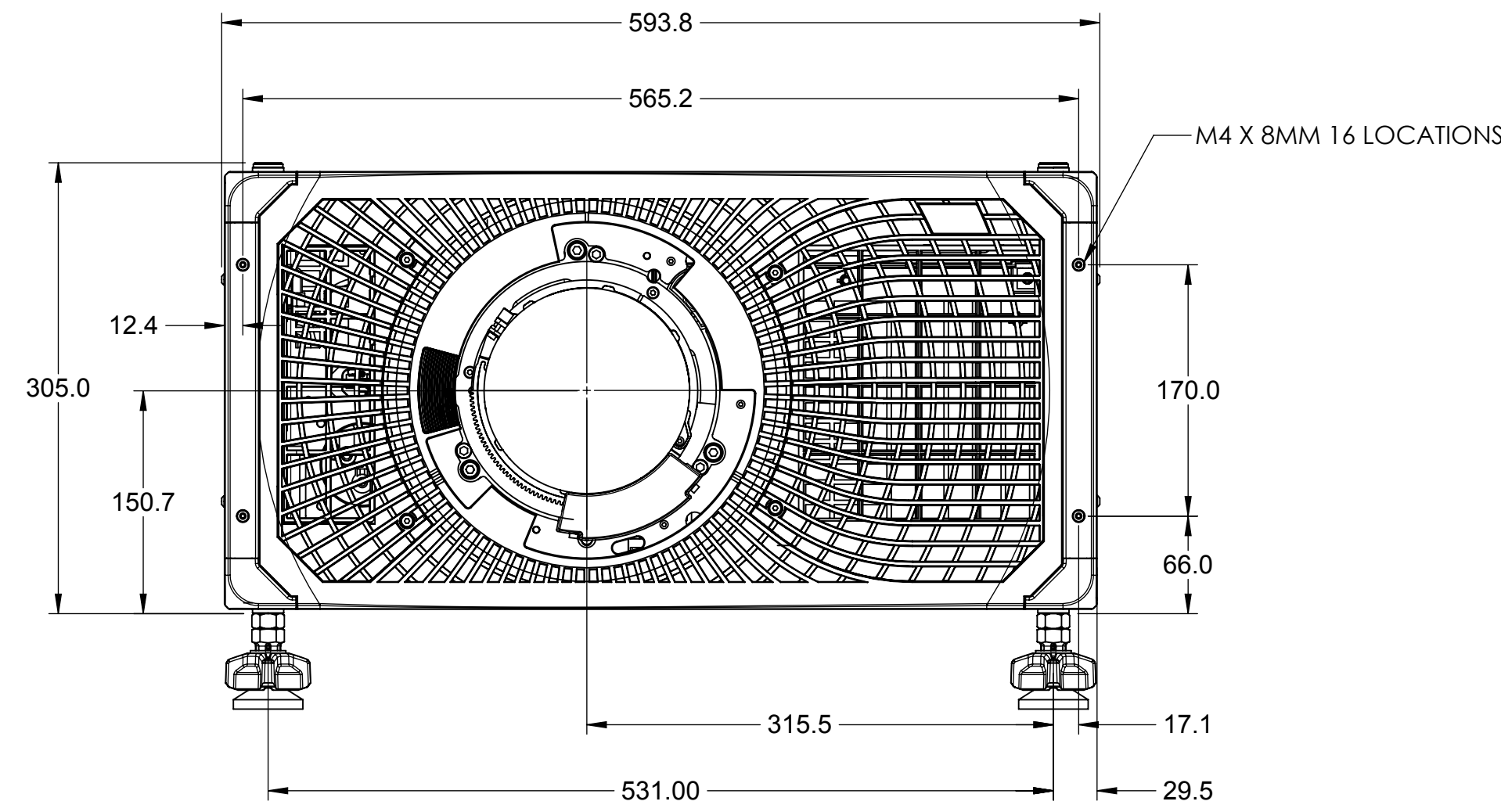
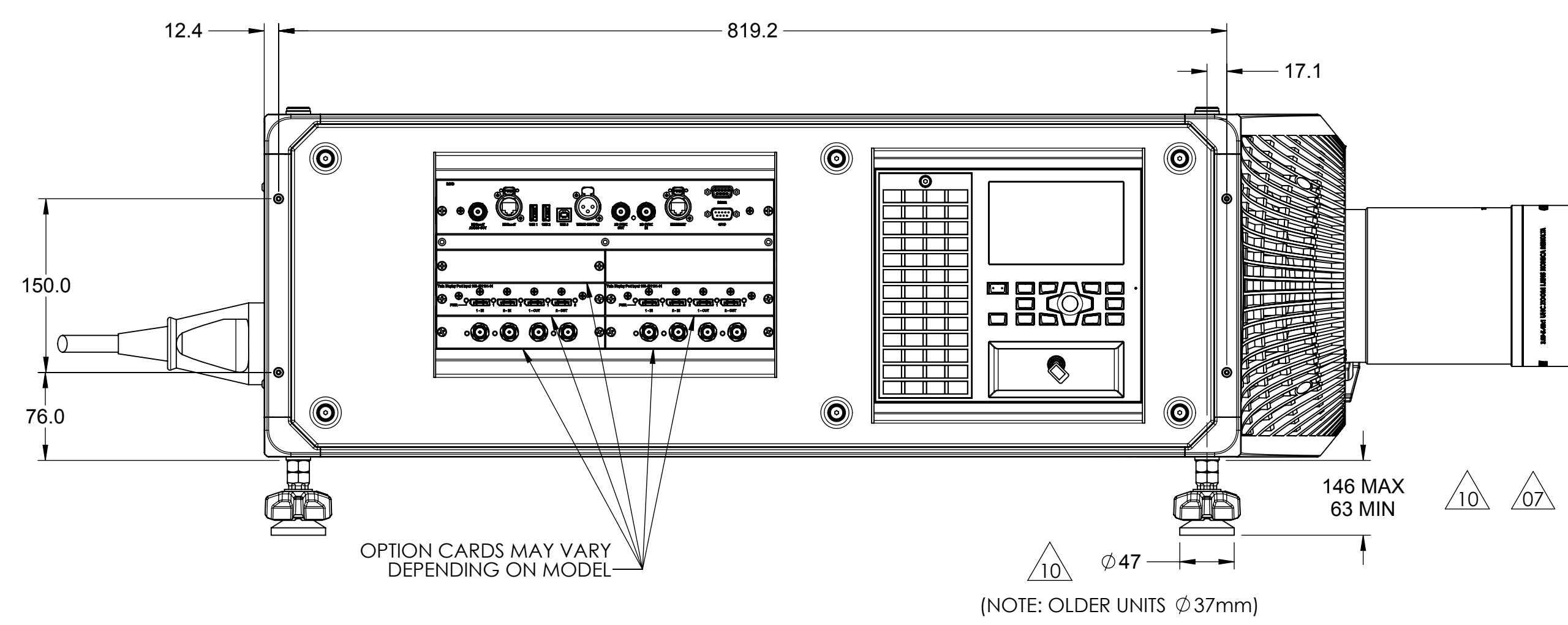
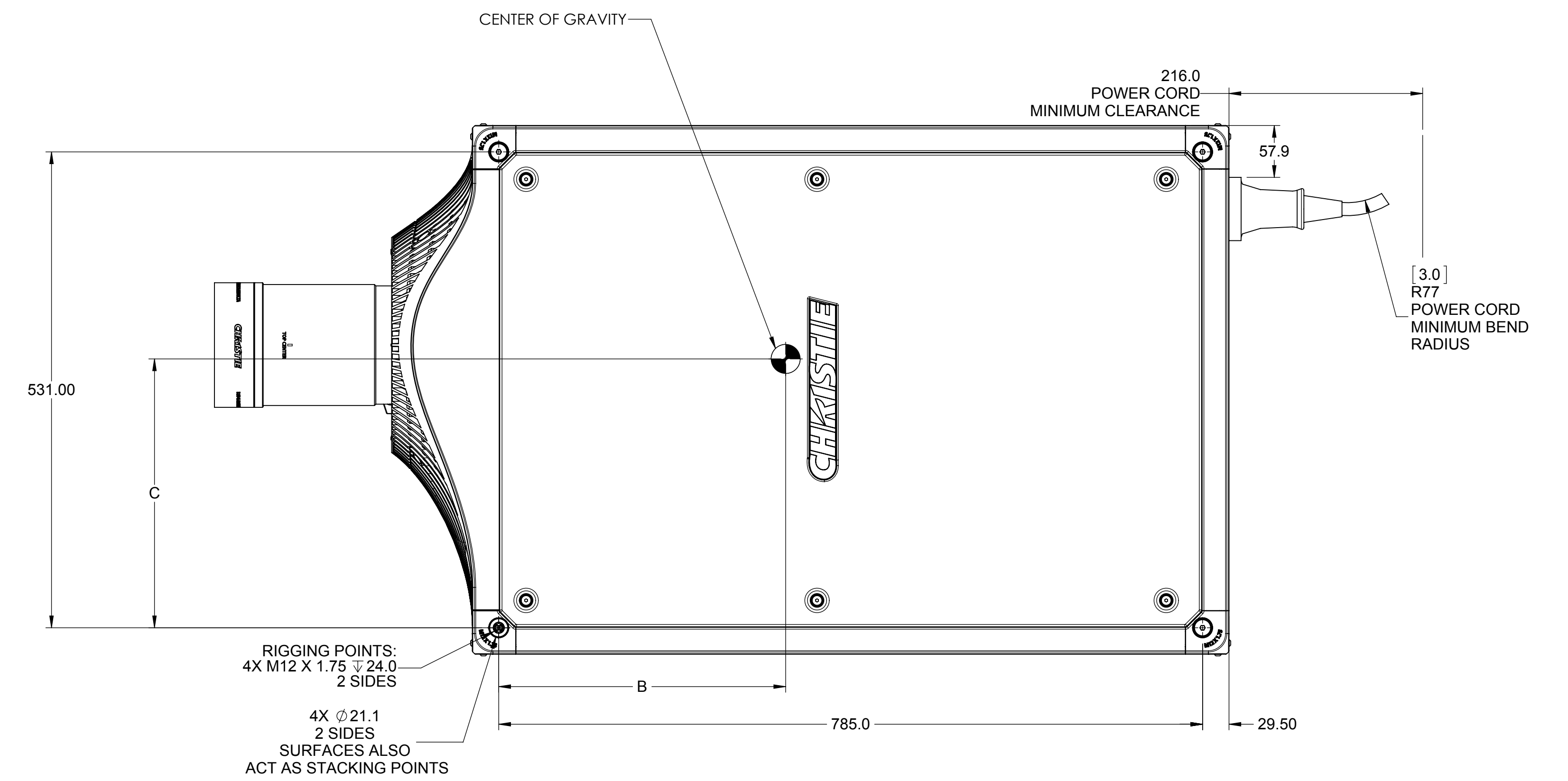
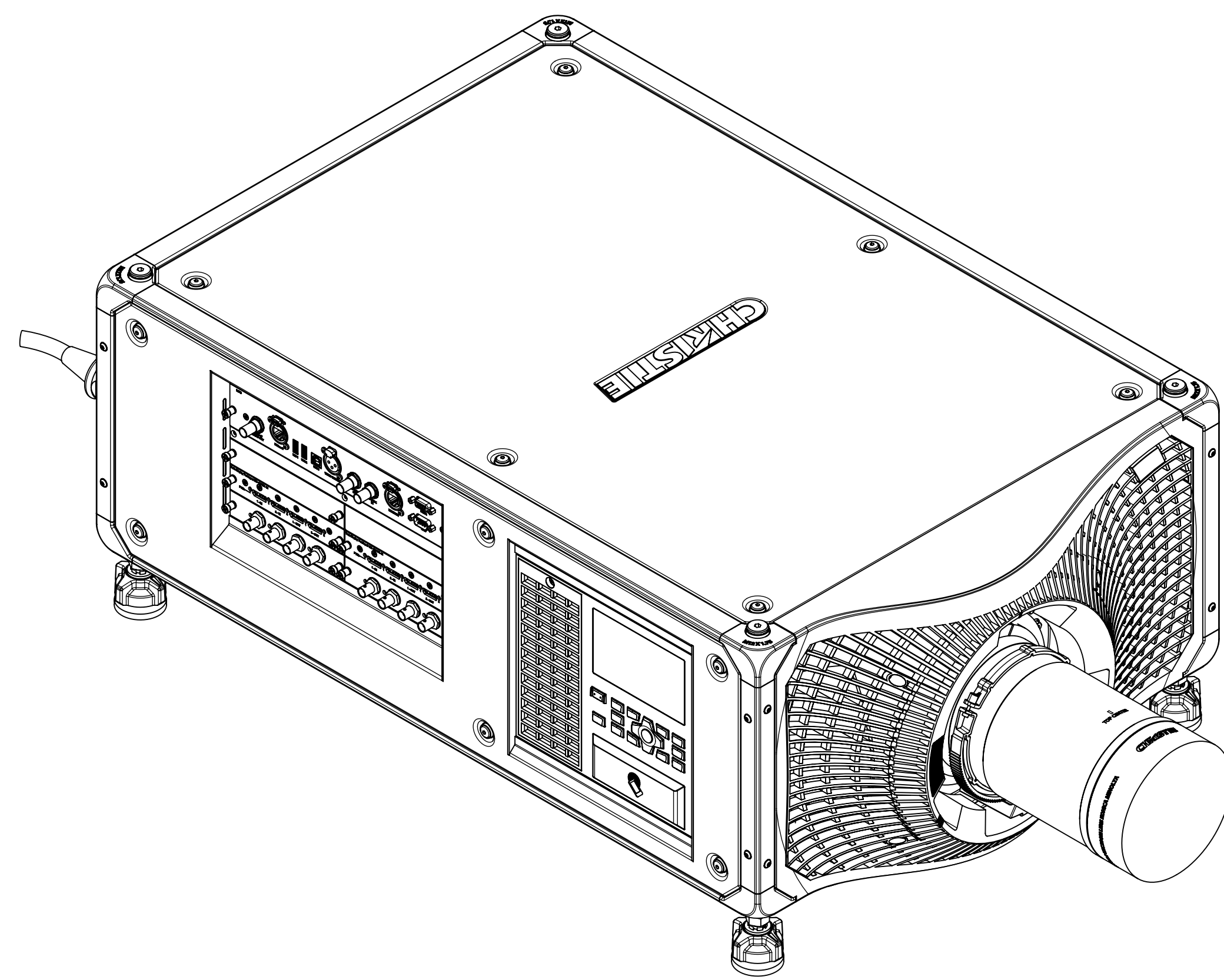
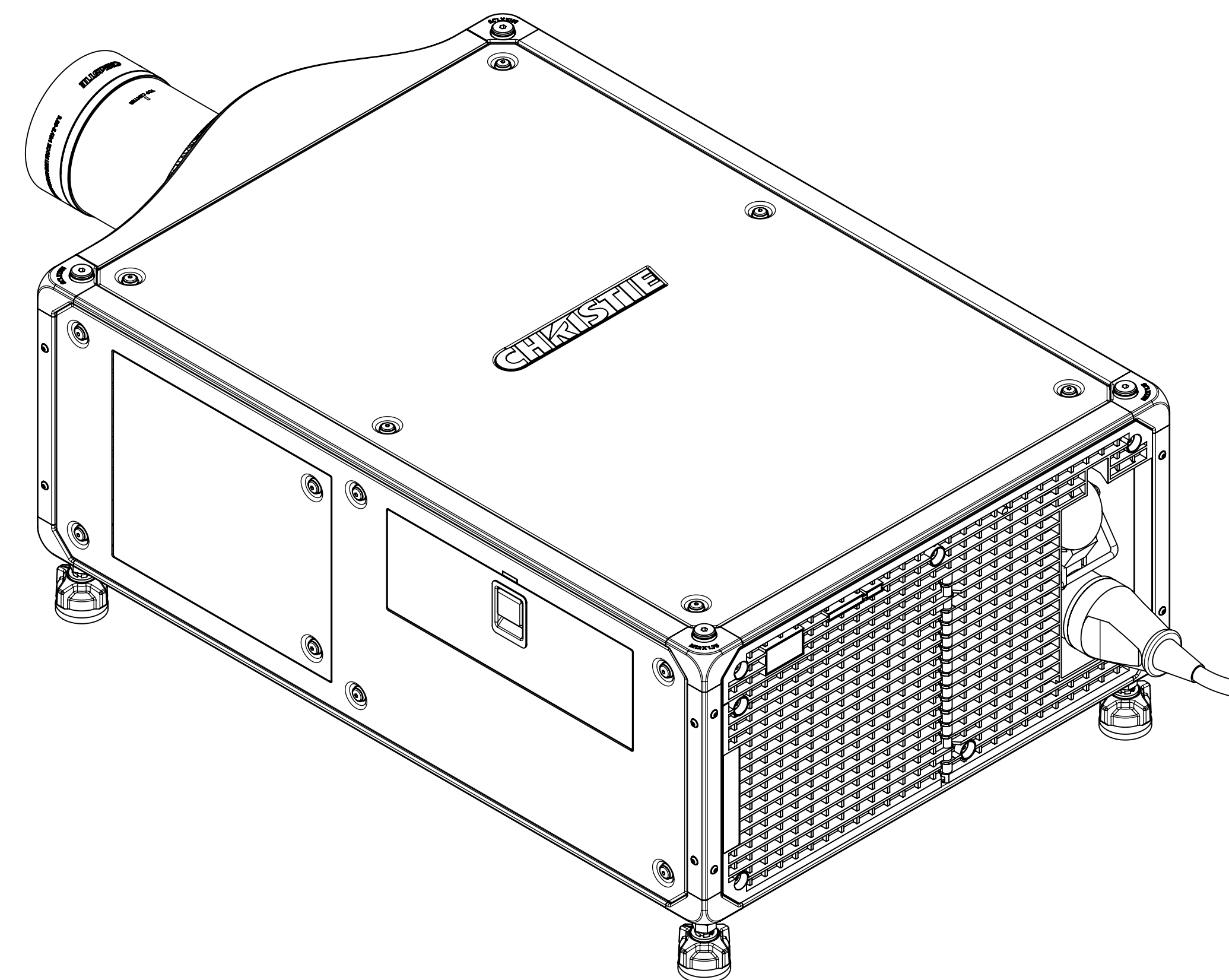
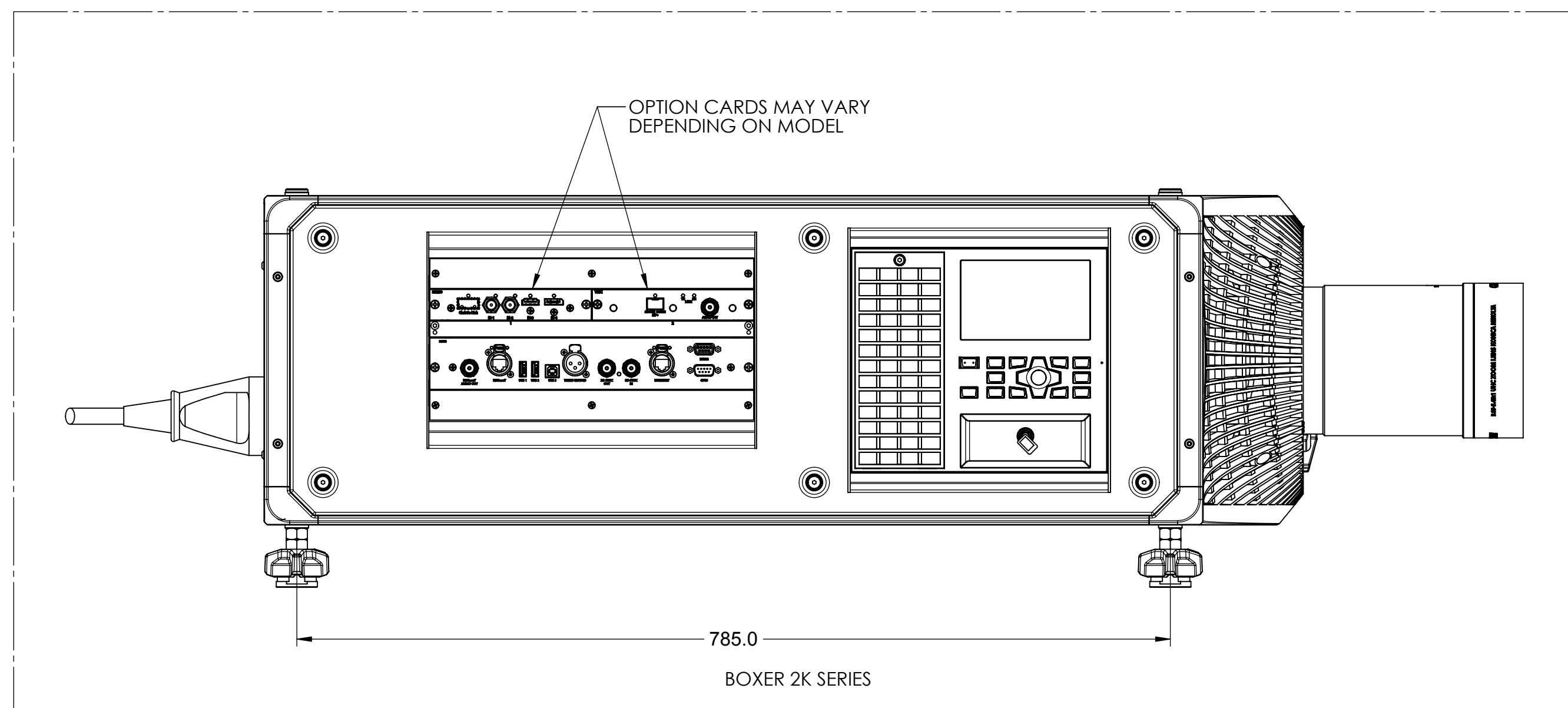


REV	DESCRIPTION OF CHANGE	BY	REV DATE
01	INITIAL RELEASE	JK	02/03/2015
02	SHOWED 'TOP CENTER' ON ALL LENS (SHEET #3) UPDATED & ADDED COG DATA FOR COLUMNS B, C & D (SHEET #1)	JK	04/14/2016
03	DELETED PAGE 3, ADDED OPERATING ALTITUDE INFORMATION	DG	05/28/2015
04	ADDED MASS CALLOUT INFORMATION	DG	07/17/2015
05	ADDED STACKING FRAME INFORMATION SHEETS 3 AND 4	DG	09/01/2015
06	CHANGED NAME OF DRAWING TO 'DWG LINE BOXER SERIES'; UPDATED DRAWING TO INCLUDE BOXER 2K PROJECTORS	JM	05/06/2016
07	UPDATE FEET ADJUSTMENT HEIGHT	KC	02/27/2017
08	ADDED LENS SPEC SHEET	GG	04/25/2017
09	ADDED 3 LENSES SHI 5/1 ADDED LENS WEIGHTS, UPDATE TABLE SHI 1	SI	06/25/2018
10	NEW FOOT DIAMETER, SHI 1	SI	10/04/2018
11	ADD SHS, ACCESSORY, HANDLE RIGGING.	TA	07/11/2019



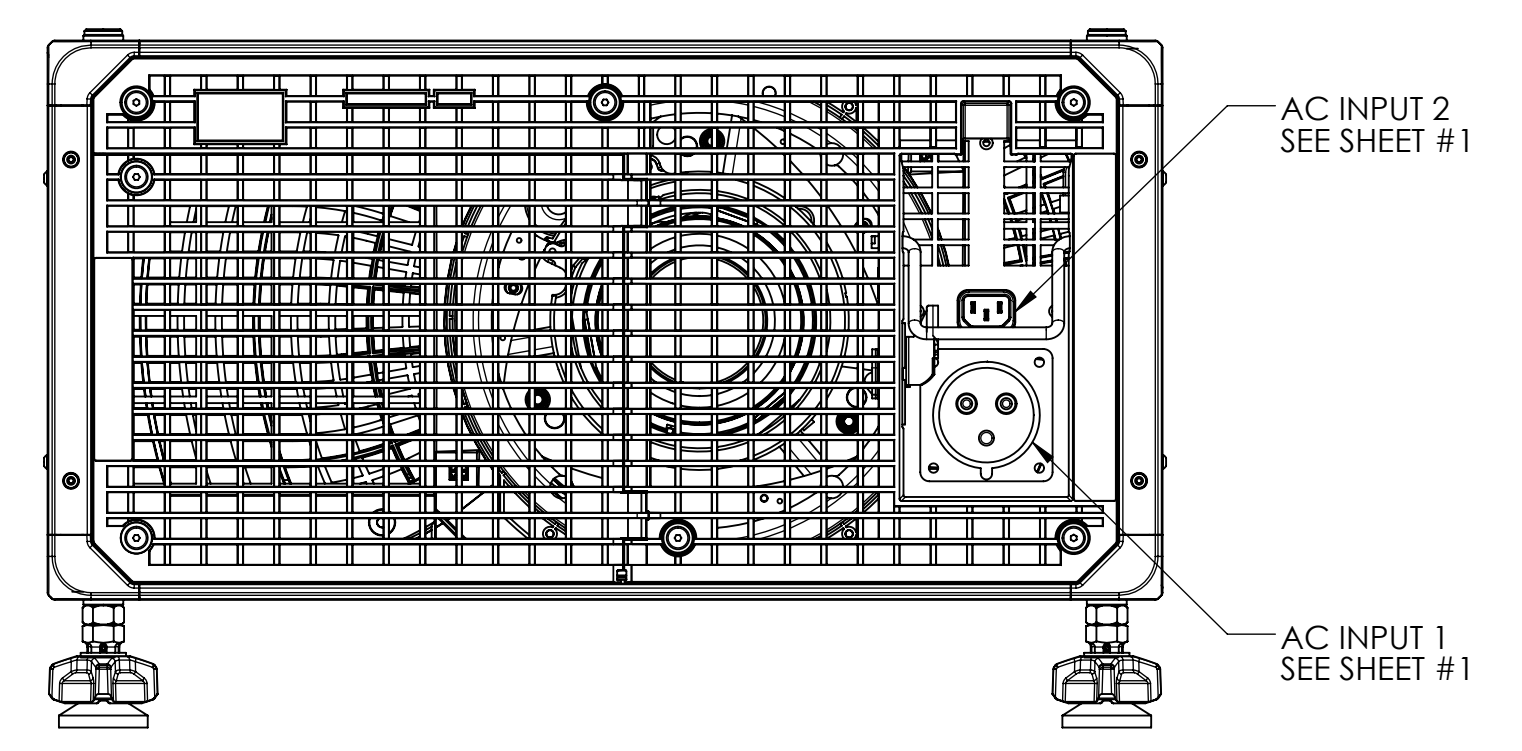
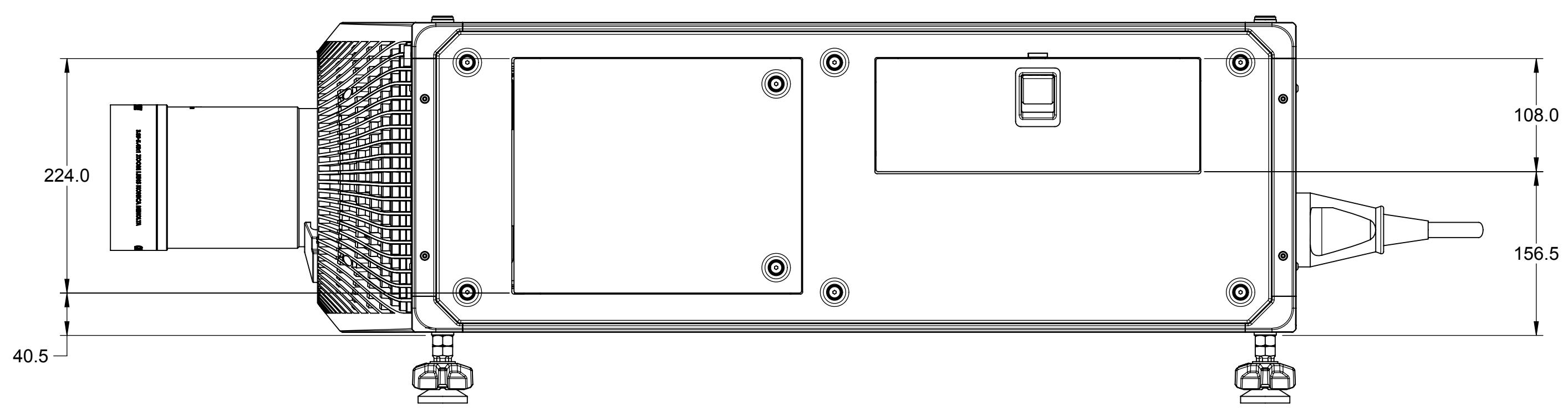
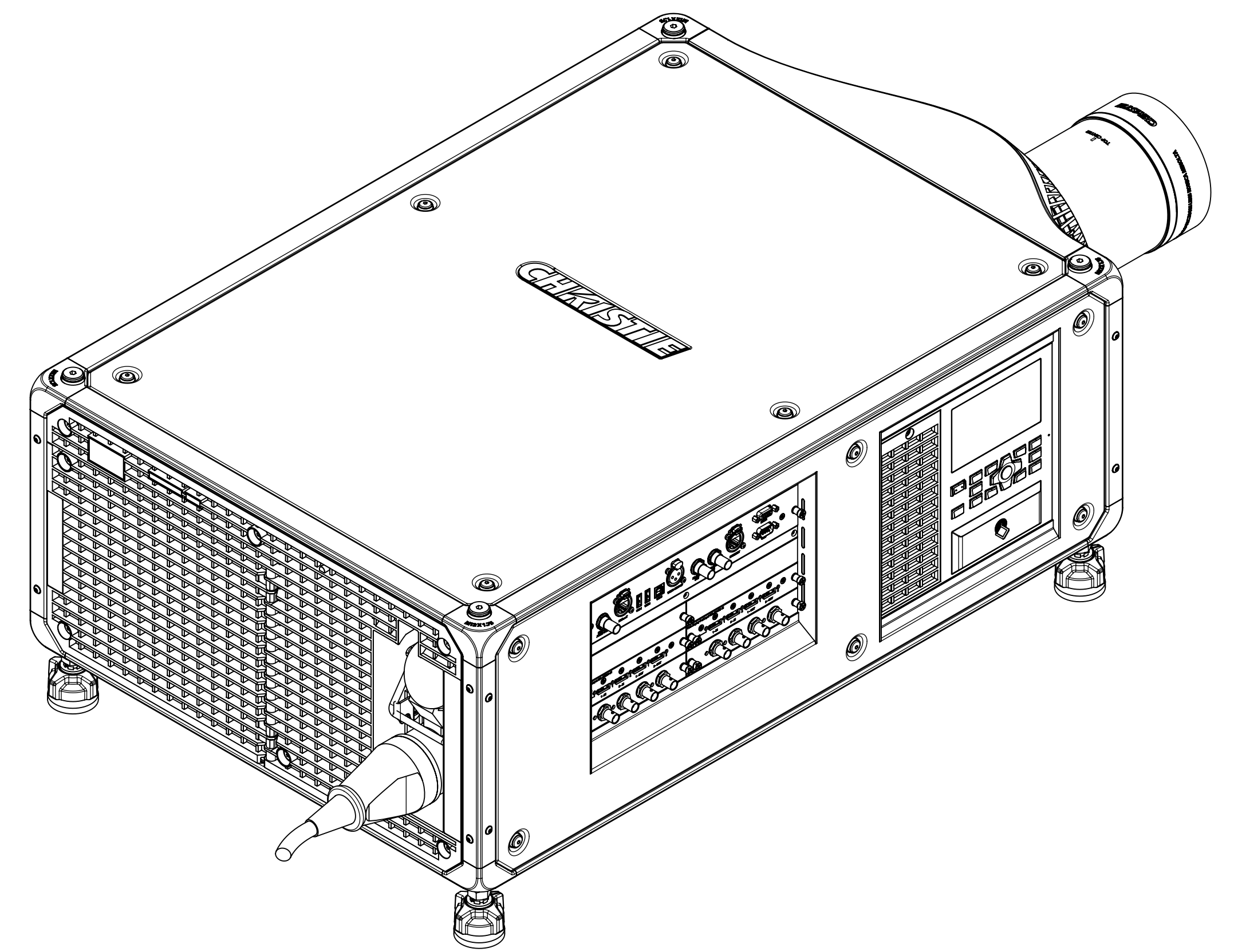
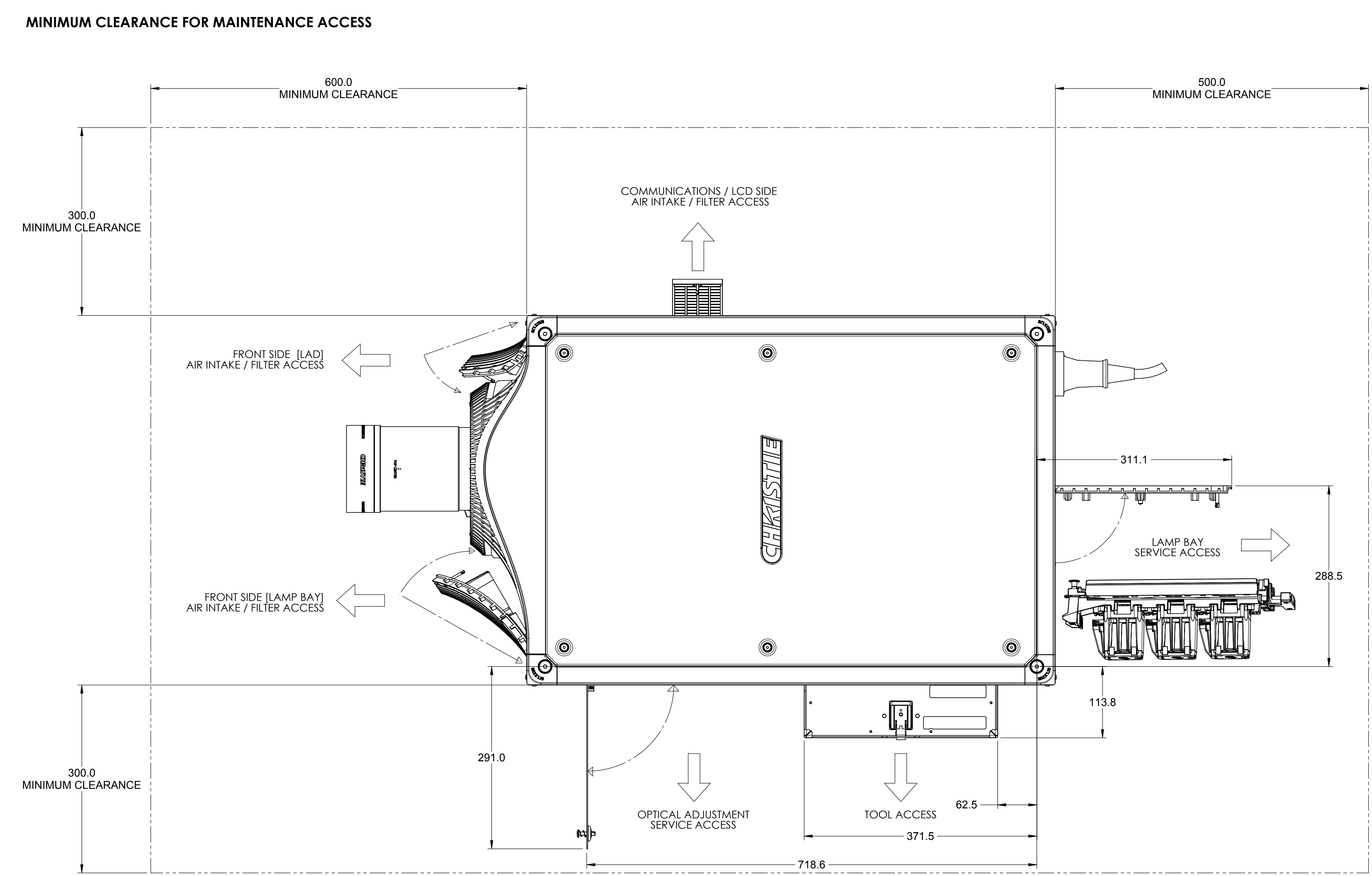
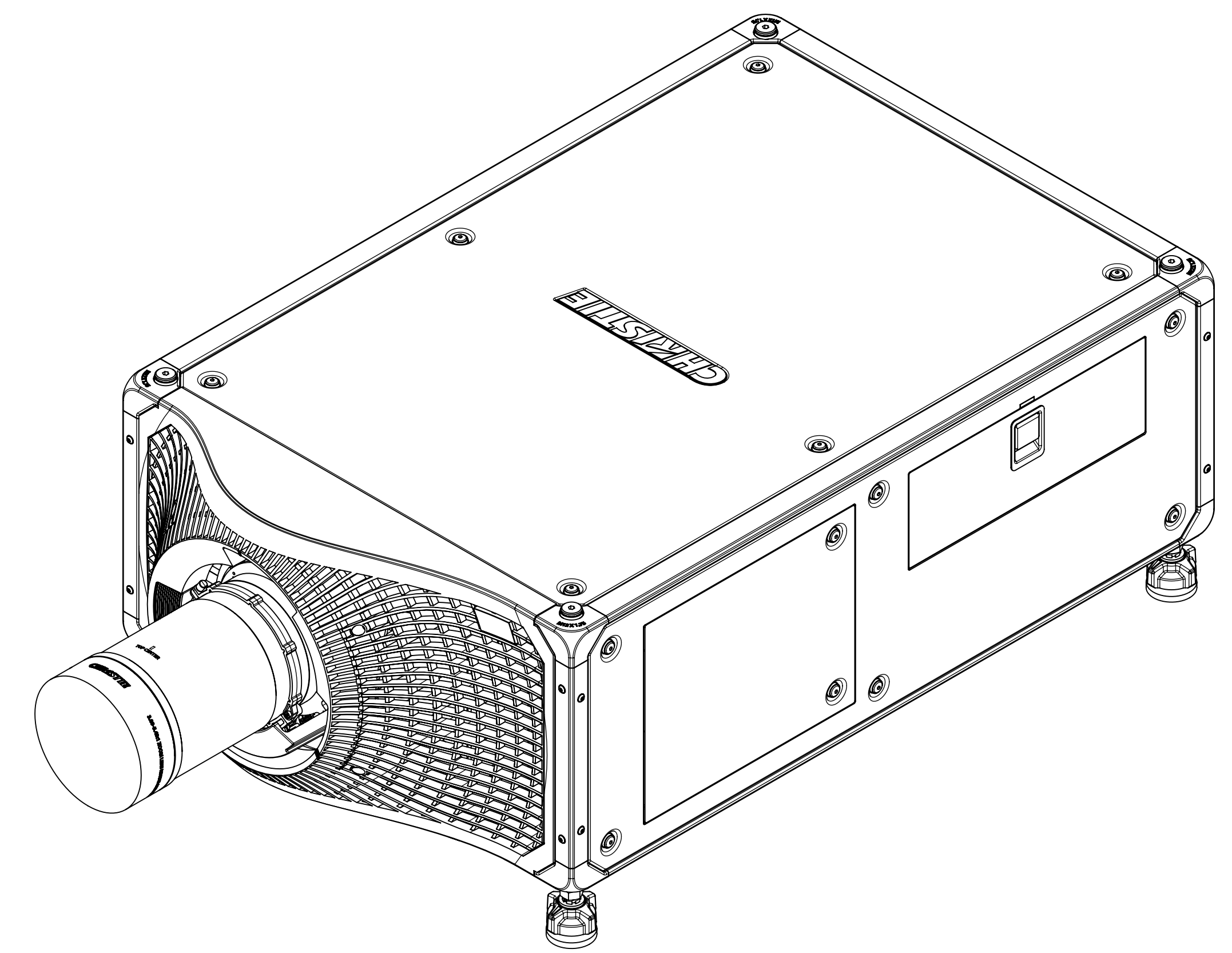
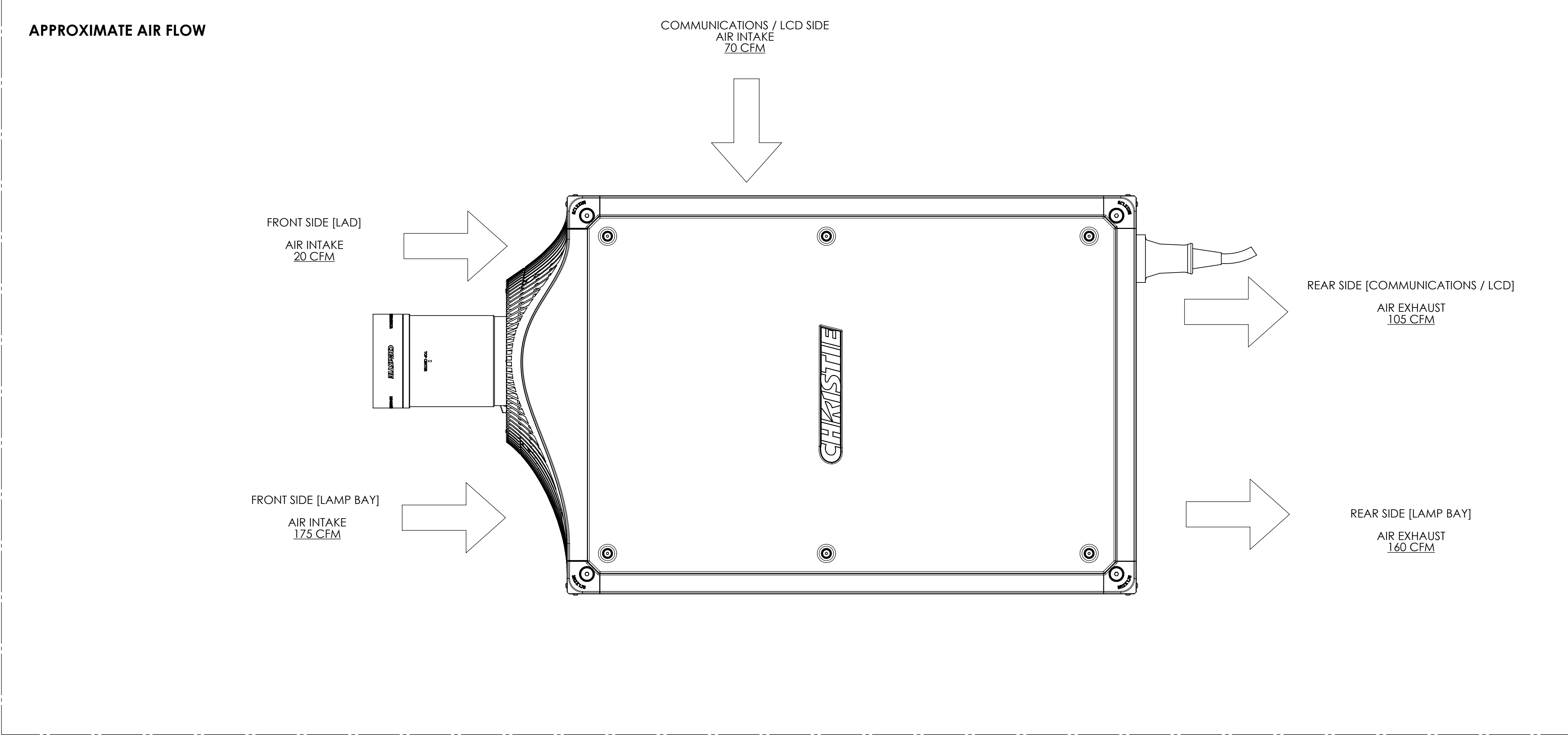
**GENERAL NOTES:**

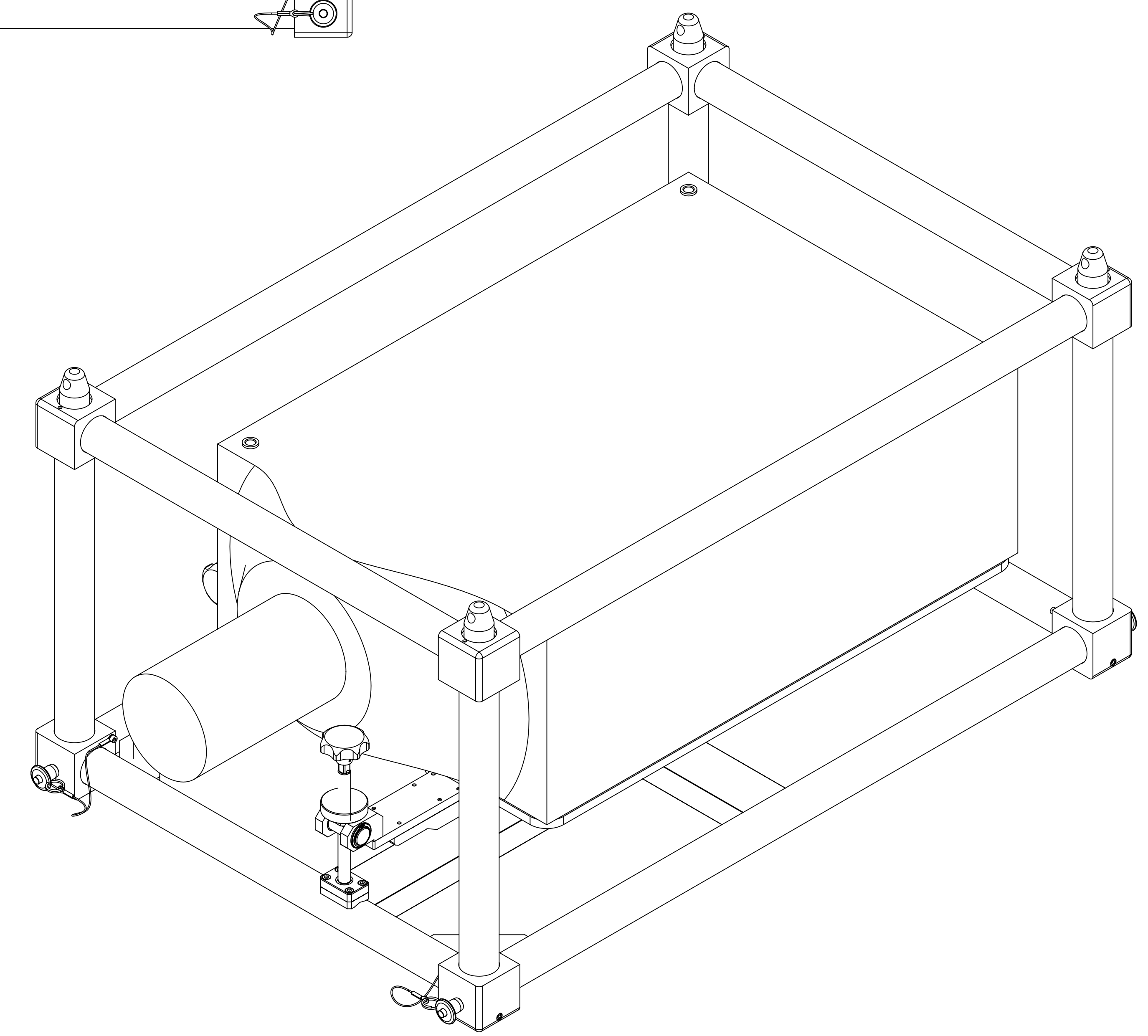
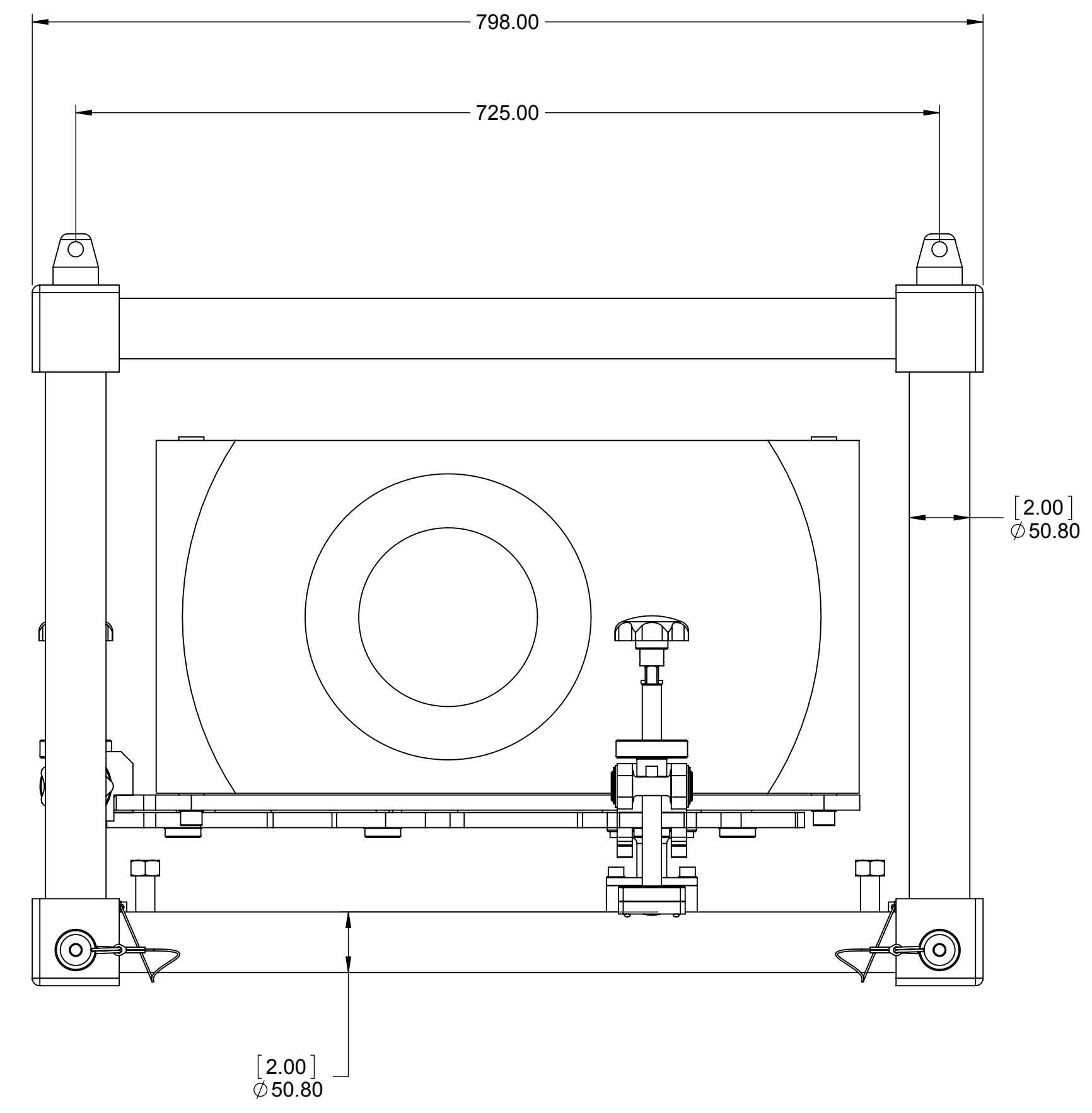
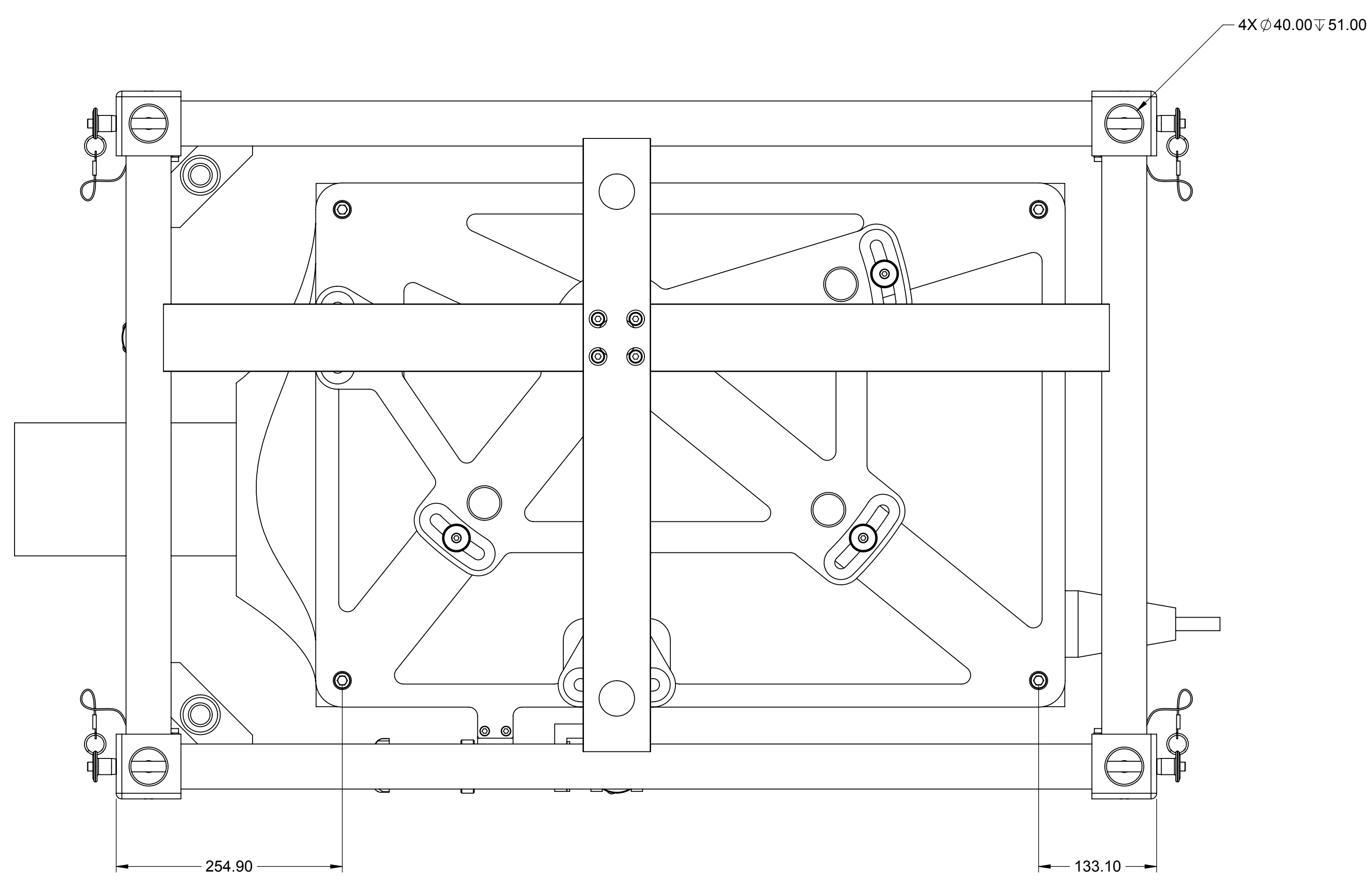
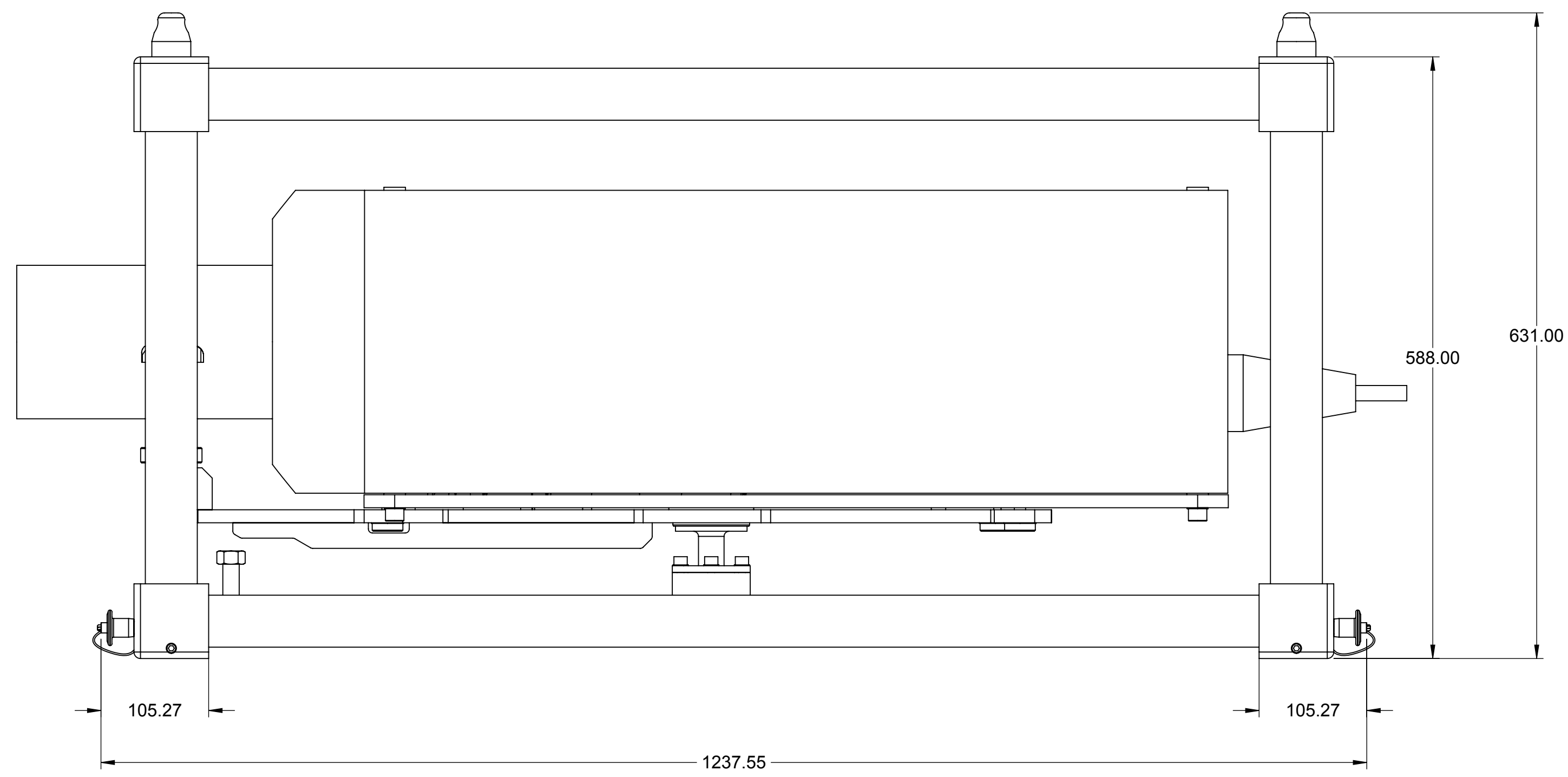
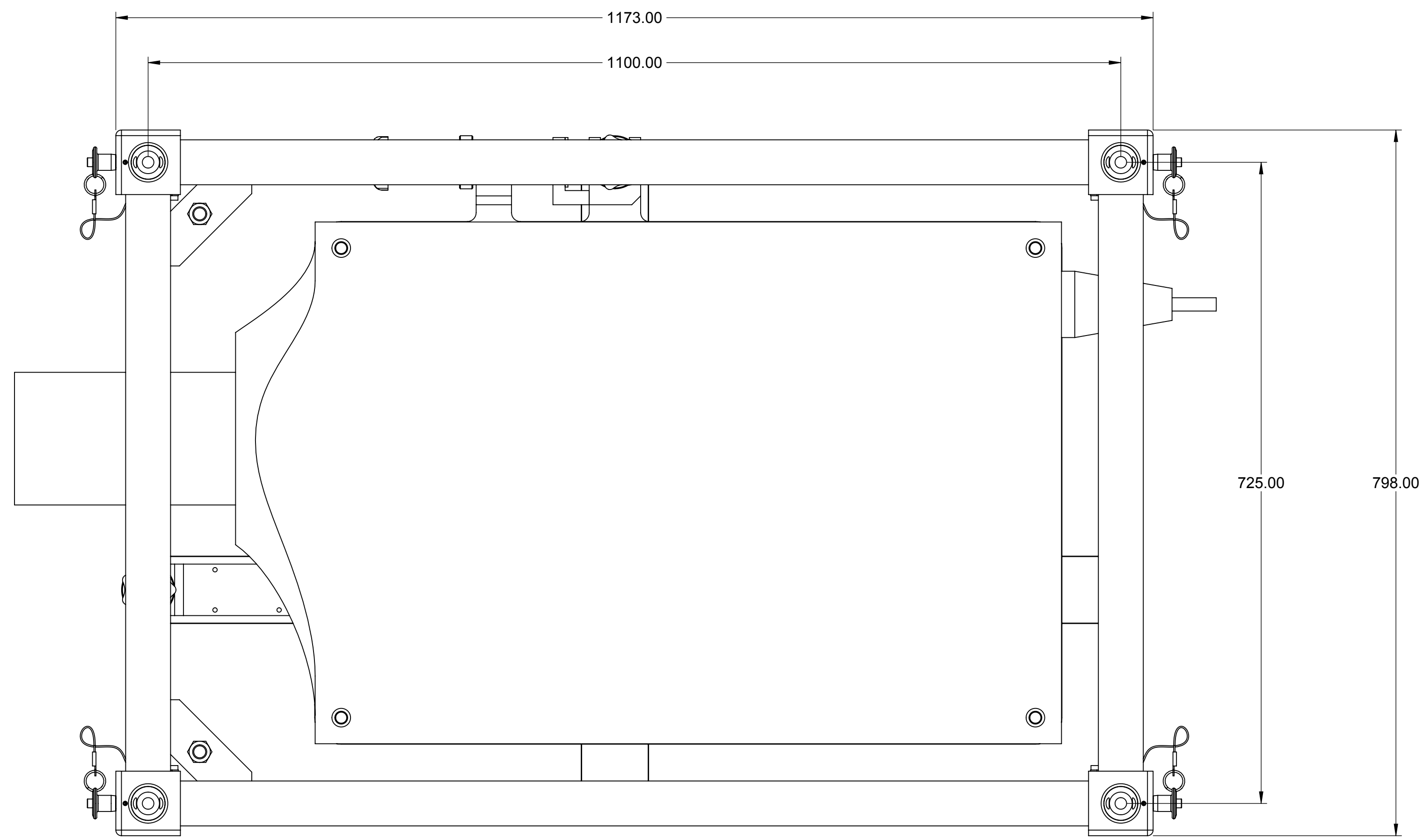
- MASS: 73 KG (160 LBS) NO PROJECTION LENS
- MASS STACKING FRAME: 56KG (123.5LBS)
- AMBIENT AIR TEMPERATURE: 5°C (41°F) TO 40°C (104° F) MAX UP TO 1500 FEET
- OPERATING ALTITUDE: 10 000 FEET MAX AT 5°C TO 25°C AMBIENT
- ROOM HEAT LOAD: 13,000 BTU/h, 3800W
- POWER REQUIREMENTS:
  - FULL POWER MODE (SIX LAMP MODE): SINGLE PHASE 200-240 V, 19A MAX (INPUT 1) (3800W)
  - SINGLE LAMP MODE: SINGLE PHASE 100-240 V, 13.8A MAX (INPUT 2) (1380W)
  - STANDBY: APPROX. 24W
- PRODUCT HAS BEEN OPTIMIZED TO RUN IN LANDSCAPE ORIENTATION (AS SHOWN). OPERATING IN OTHER ORIENTATIONS WILL REDUCE LAMP LIFE

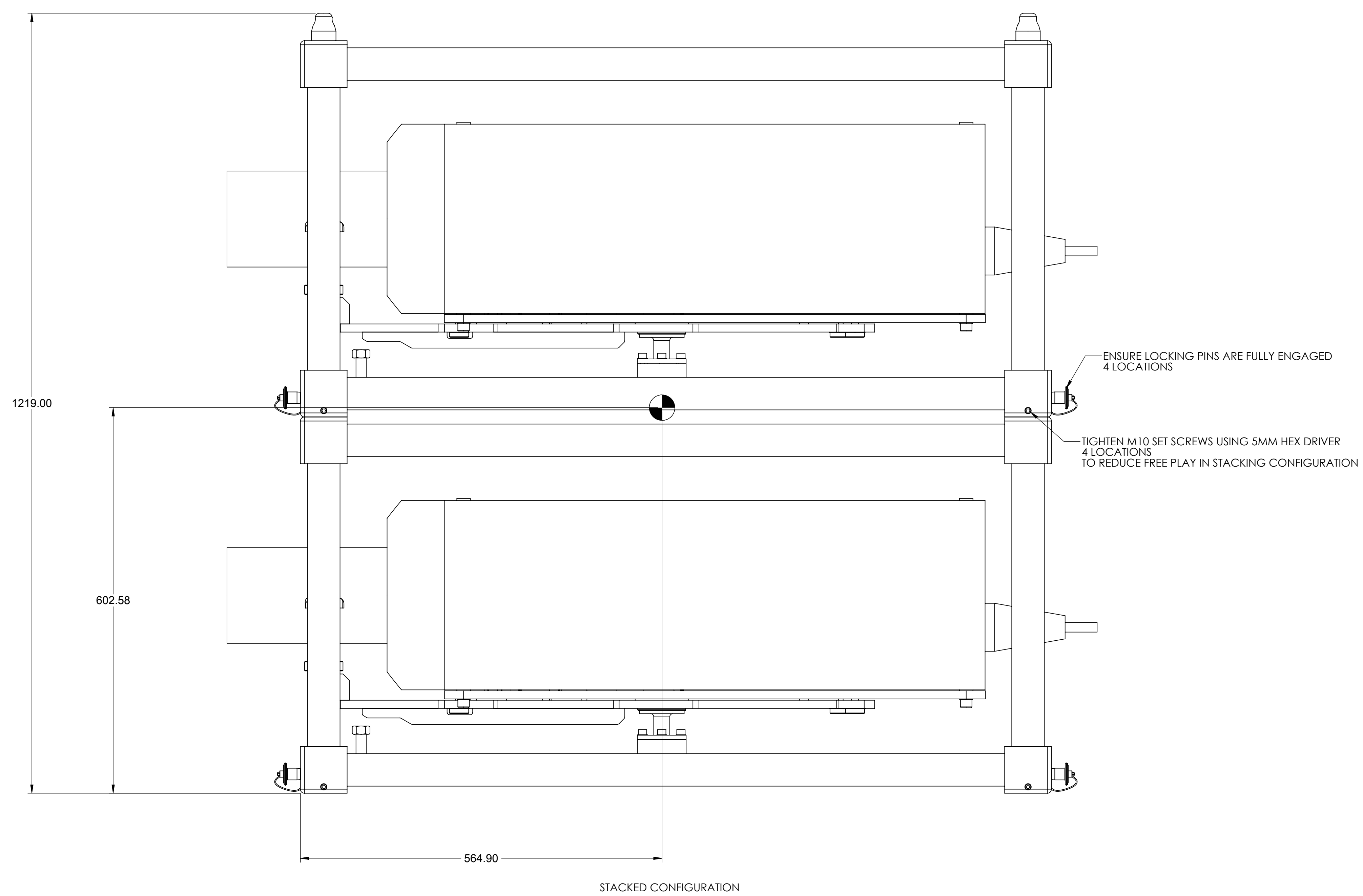
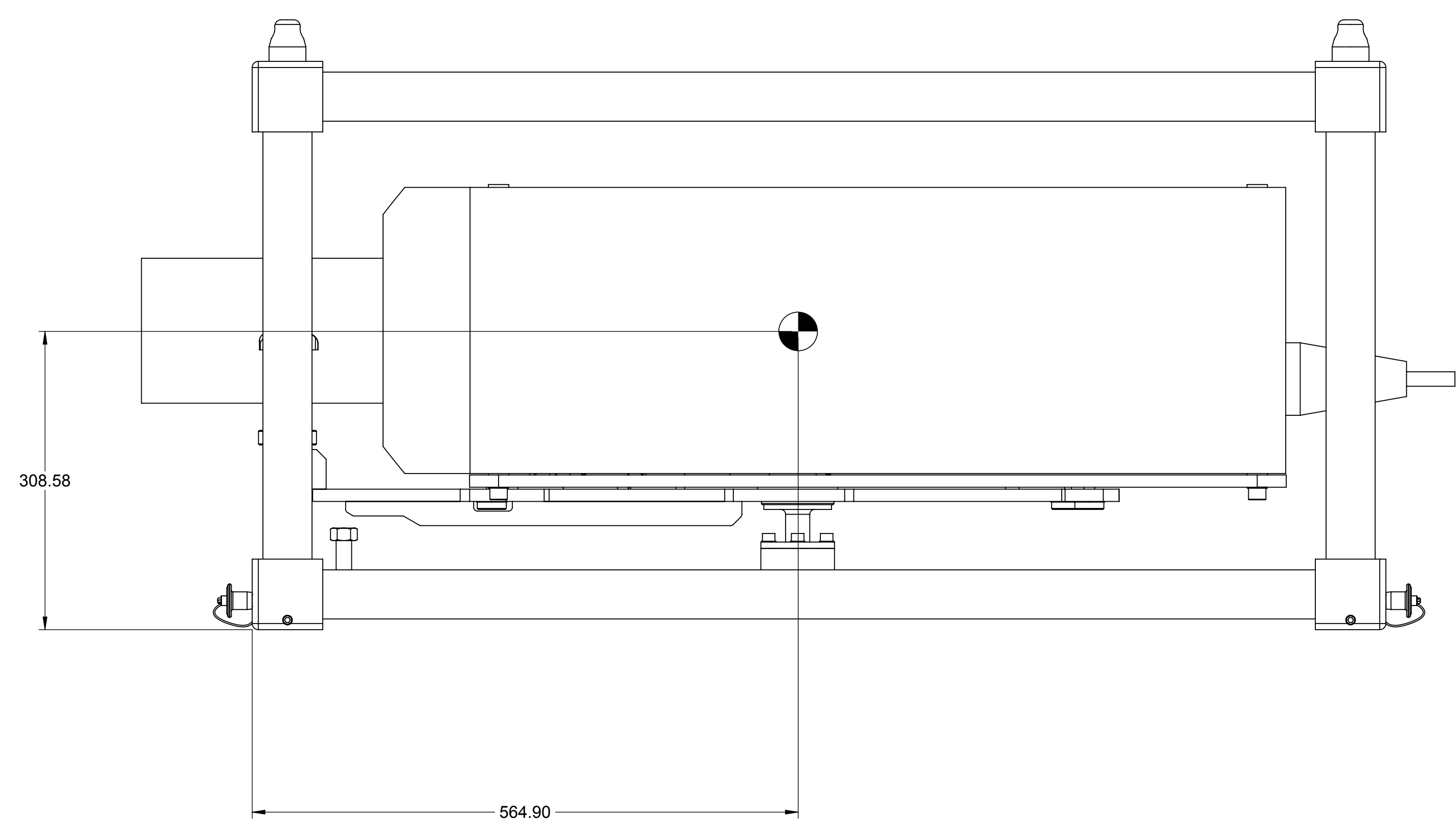
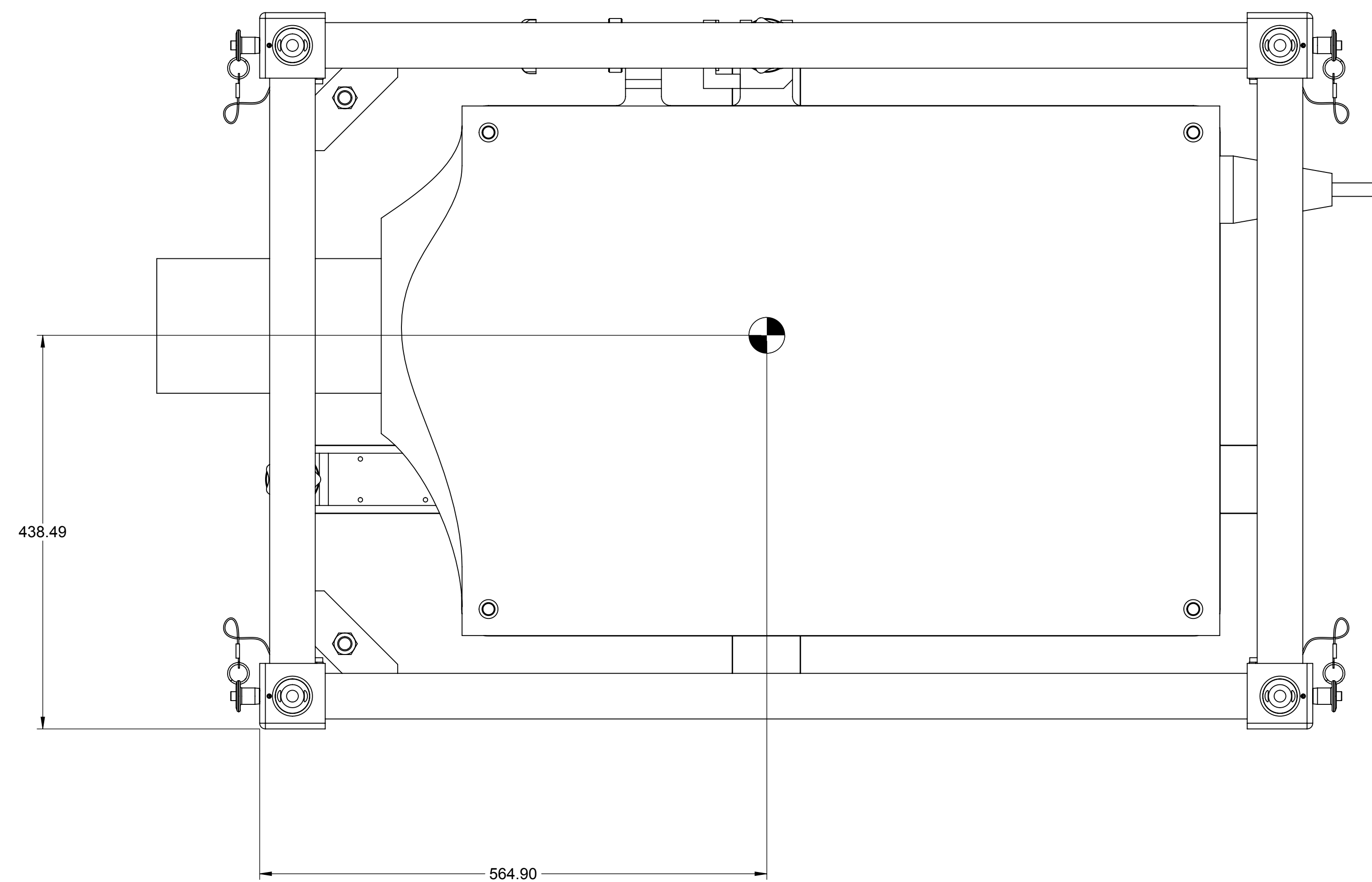
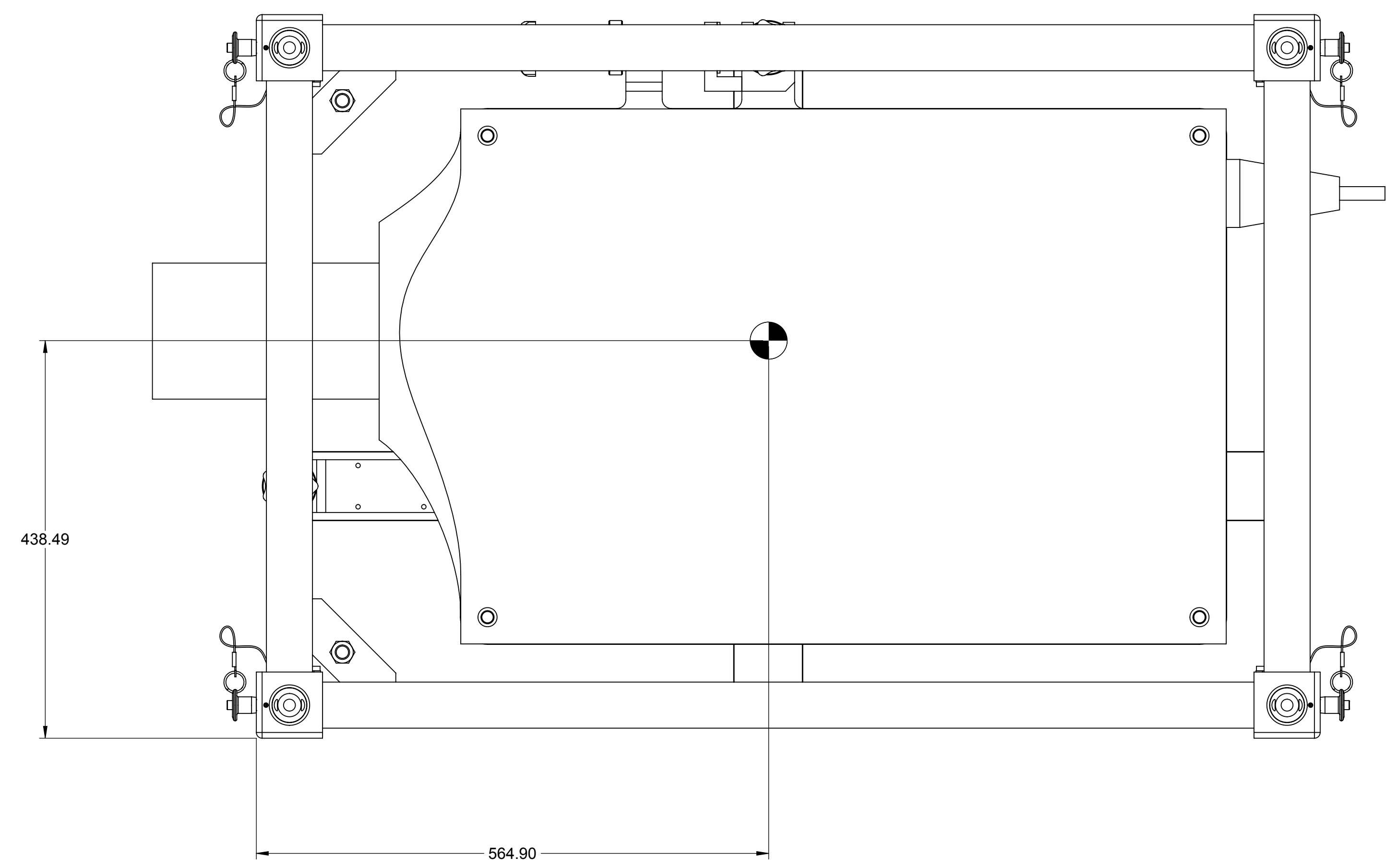


CDS P/N	PROJECTION LENS	A	B	C	D	WEIGHT kg
144-110103-XX	0.72:1	323	310	305	150	6.5
144-111014-XX	0.9:1	335	307	305	140	6.9
144-103105-XX	1.13-1.31:1	311	303	305	145	7.6
144-104106-XX	1.31-1.63:1	259	313	305	140	6.7
144-105107-XX	1.63-2.17:1	248	329	305	145	6.2
144-106108-XX	1.99-2.71:1	190	319	305	150	5.9
144-107109-XX	2.71-3.89:1	248	313	305	150	6.0
144-108100-XX	3.89-5.43:1	320	307	305	145	7.3
144-109101-XX	4.98-7.69:1	366	303	305	140	7.5
144-129103-XX	1.13-1.66:1	327	305	305	145	7.0
144-130105-XX	1.45-2.17:1	278	307	305	145	6.7
144-131106-XX	1.95-3.26:1	193	318	305	142	5.3
WITHOUT PROJECTION LENS		120	351	300	150	73

UNITS: INCHES <input checked="" type="checkbox"/> MILLIMETRES	DRAWN BY: J. BRUCH	CHRISTIE DIGITAL SYSTEMS USA, INC.
UNLESS OTHERWISE SPECIFIED	DRAWN DATE: 12/06/2014	CHRISTIE DIGITAL SYSTEMS CANADA, INC.
INTERFERE DIMENSIONS AND TOLERANCES PER ASME Y14.5M-1994	APPROVED BY: L. MICOLI	
TOLERANCES APPLY AS SHOWN BELOW	APPROVAL DATE: 06/09/2019	
DECIMAL PLACES: INCHES MILLIMETRES	PROPRIETARY	
XXX ± 0.03	NOT TO BE DISCLOSED OR REPRODUCED IN ANY MANNER WITHOUT THE EXPRESS WRITTEN PERMISSION OF CHRISTIE	
XX ± 0.125	PART DESCRIPTION	
X ± 0.250	DWG LINE BOXER SERIES	
ANGULAR DIMENSIONS: 10.0° 10.0°	SCALE: E	PART NUMBER: 020-000782-01
XX.X° 10.0°	SCALE: 1:4	WEIGHT: - LBS (- KG)
		SHEET 1 OF 6







NOTE: CENTER OF GRAVITY WAS MEASURED USING LENS 144-110103-XX ASSY LENS 0.72:1 HB FIXED

